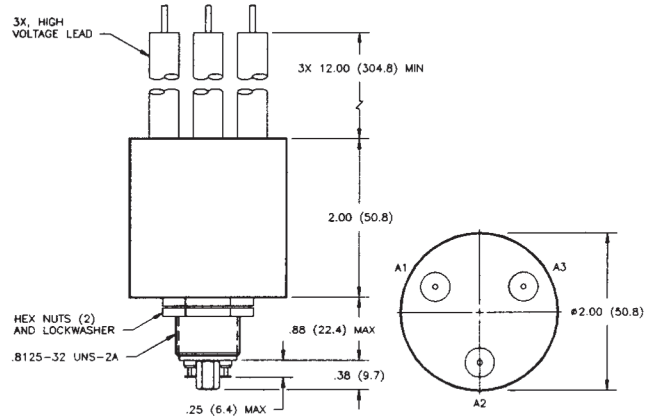
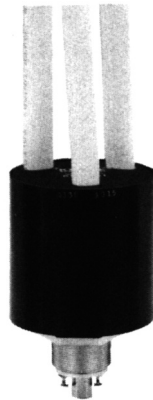


K64 & H-25 Series — 50 kV Relays

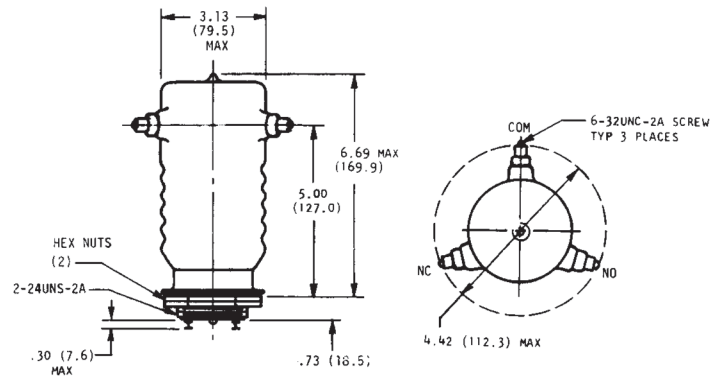
K64C Make Only Load Switching Product Facts for K64C

- SF-6 gas-filled relay ideal for high voltage isolation or “make only” power switching
- 50 kV rating in compact package
- High voltage leads and encapsulation allow full operation in air



H-25 Make & Break Load Switching Product Facts for H-25

- Vacuum relay provides low contact resistance
- Vacuum dielectric for power switching low current loads



Product Specifications for K64C and H-25

Contact Arrangement — SPDT

Contact Form — C

Test Voltage, DC or 60 Hz (Peak) —

K64C — 55 kV

H-25 — 60 kV

Rated Operating Voltage (Peak) —

DC or 60 Hz — 50 kV

Continuous Carry Current, Max. —

DC or 60 Hz — K64C — 10 A

H-25 — 30 A

Coil Hi-Pot (Vrms, 60 Hz) — 500 A

Contact Resistance, Max. —

K64C — 1.0 ohm*

H-25 — 0.015 ohm

Operate Time, Max. —

K64C — 15 ms

H-25 — 60 ms

Release Time, Max. —

K64C — 15 ms

H-25 — 60 ms

Shock, 11ms, 1/2 Sine (Peak) —

K64C — 10 g

H-25 — 15 g

Vibration —

Peak — 10 g (55 to 500 Hz)

Operating Ambient Temperature

Range — -55°C to +85°C

Mechanical Life —

K64C — 1 million cycles

H-25 — 500,000 cycles

Weight, Nominal —

K64C — 340 g (12 oz.)

H-25 — 850.5 g (30 oz.)

Note:

*Contact resistance for gas-filled relays measured at 28 Vdc, 1 Amp

Coil Data

	K64C	H-25
Nominal Volts DC	26.5 Vdc	26.5 Vdc
Pickup, Max.	18 Vdc	16 Vdc
Dropout	1-10 Vdc	1-10 Vdc
Coil Resistance (±10%)	80 Ω	120 Ω

Ratings listed are for 25°C, sea level conditions

Ordering Information

Sample Part Number ▶

Series: **K64 C 8 4 1**

Contact Form: _____

C = SPDT

Coil Voltage: _____

8 = 26.5 Vdc, Turret Terminal

High Voltage Connections: _____

4 = Flying Leads, 12"

7 = Flying Leads, 72"

8 = Flying Leads, 36"

Mounting: _____

1 = Threaded

For factory-direct application assistance, dial 800-253-4560, ext. 2055, or 805-220-2055.